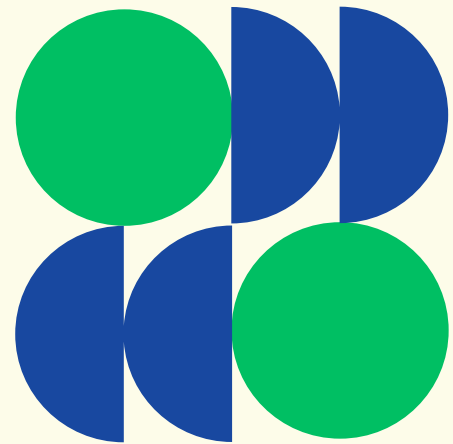


CCS-2 MALE INLET SOCKET
60A TO 200A

Product Catalog



JT MOBILITY PRIVATE LIMITED

 +91-8693099309 / 9699789777

 support@jt-mobility.com

 www.jt-mobility.com



CCS-2 Male Inlet Socket

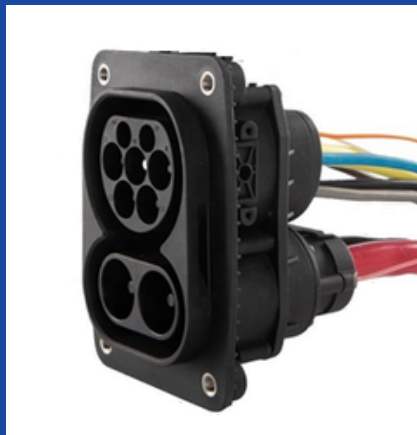
IEC-62196-3 , 60A to 200A

JT Mobility Combined Charging System (CCS) is based on open and universal standards for electric vehicles. The CCS combines single-phase with rapid three-phase charging using alternating current at a maximum of 43 kilowatts (kW), as well as direct-current charging at a maximum of 200 kW and the future perspective of up to 350 kW – all in a single system. It also manages communications between the electric vehicle and the infrastructure. As a result, it provides a solution to all necessary charging requirements. The Combo CCS2 charging inlet socket are available in 200A. It's combined alternating current (AC) Type 2 charging and direct current (DC) CCS fast charge in one inlet. With optional cable and Secure electromagnetic locking actuator, which can lock the charging plug and inlet during the charging process.

JTEVS200AC2MC



JTEVS200AC2M



JTEVS200AC2MCB



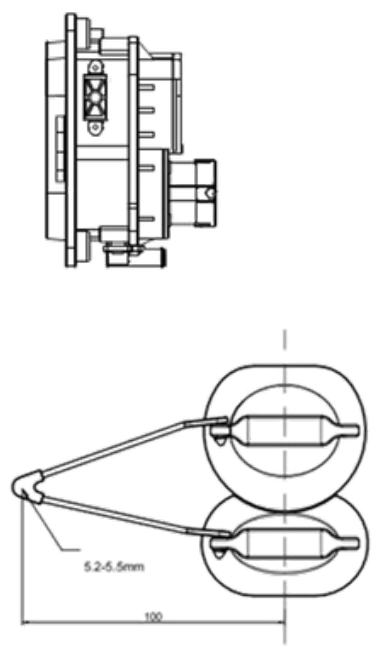
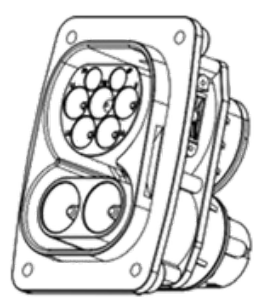
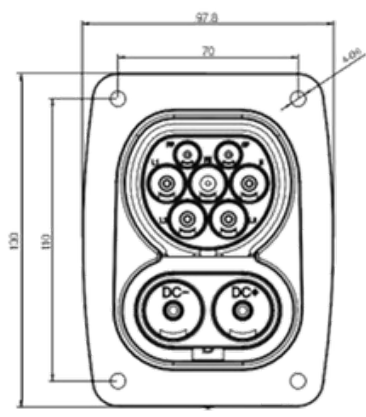
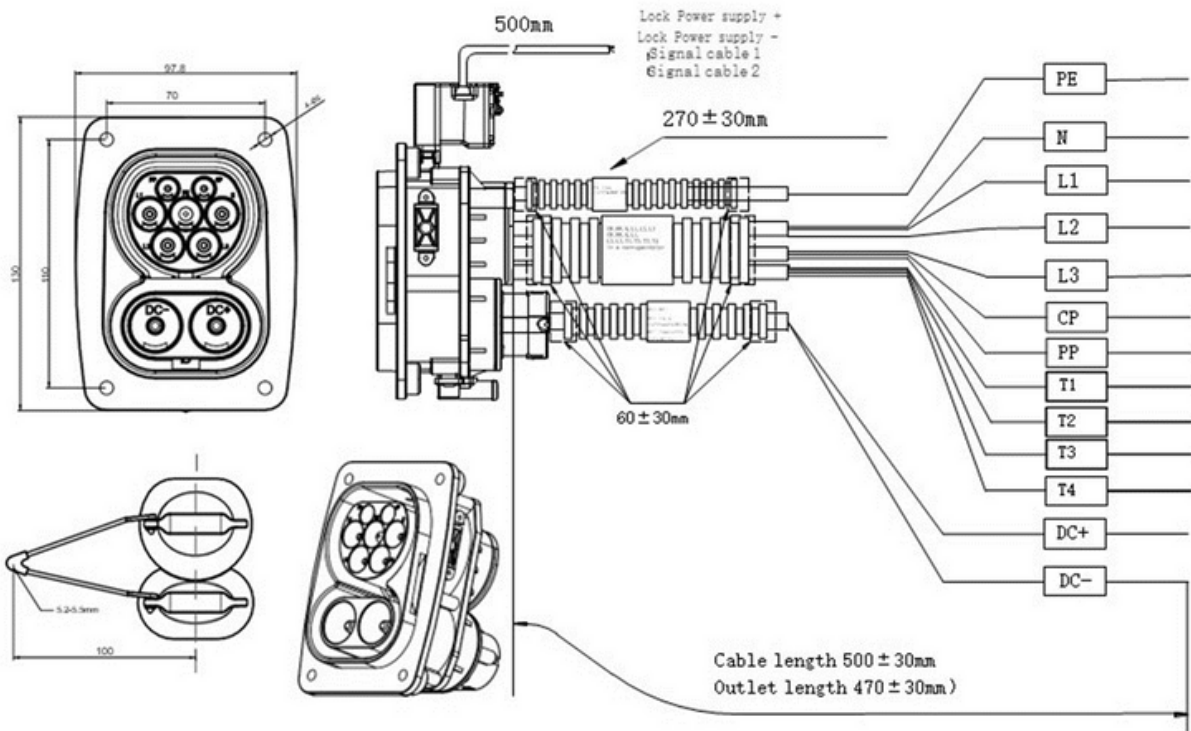
Key Features

- Unique Integrated Design
- Self-Cleaning Function on Pins
- Mounted on the side of the vehicle.
- High strength flame retardant nylon
- Pin Material: Copper Alloy, Silver Plating
- Better Conductivity and Higher Energy Transmission
- Excellent protection performance resistance to vibration, moisture, dust, and salt spray.
- Insulator in flammability UL94 V-0
- Conforming to IEC 62196-2 and IEC 62196-3 standards.
- Safe against overheating with temperature monitoring at every DC power conduct pins.
- Protected and sealed against dust and water with a IP55 protection.
- Available with optional 50cm cable
- Available with optional locking actuator

Specifications



	JTEVS200AC2MCB	JTEVS200AC2MC	JTEVS200AC2M
Rated Current	200A	60A - 200A	60A - 200A
Rated voltage (V DC)	1000V DC	1000V DC	1000V DC
Rated Current	32A	32A	32A
Operation Voltage	400V MAX	400V MAX	400V MAX
Insulation resistance	2000MΩ (DC1000V) for CCS Type 2 charging connector	2000MΩ (DC1000V) for CCS Type 2 charging connector	2000MΩ (DC1000V) for CCS Type 2 charging connector
Temperature Resistance	< 50K	< 50K	< 50K
Withstand Voltage	3000V	3000V	3000V
Contact Resistance	0.5m ohm Max	0.5m ohm Max	0.5m ohm Max
Mechanical Parameter	Tested no-load plug in / plug out > 10000 times life cycle	Tested no-load plug in / plug out > 10000 times life cycle	Tested no-load plug in / plug out > 10000 times life cycle
Operate force	Less than 100N	Less than 100N	Less than 100N
Outer Shell	Thermoplastic material, fire rating UL94-0	Thermoplastic material, fire rating UL94-0	Thermoplastic material, fire rating UL94-0
Conductive terminal	Cooper alloy pins , silver plated on surface	Cooper alloy pins , silver plated on surface	Cooper alloy pins , silver plated on surface
Operating Temperature	-30C to +65C	-30C to +65C	-30C to +65C
IP protection class	IP 55 (Working condition) protection level, suitable to use in any hard environment condition.	IP 55 (Working condition) protection level, suitable to use in any hard environment condition.	IP 55 (Working condition) protection level, suitable to use in any hard environment condition.
Cable Length	0.5 Meter	0.5 Meter	NA
Standard	IEC 62196-3	IEC 62196-3	IEC 62196-3
60A / 1000V DC Cable	2*16 mm ² + 1*16 mm ² + 6*0.75 mm ² + 32A: 5*6mm ²		
80A / 1000V DC Cable	2*16 mm ² + 1*16 mm ² + 6*0.75 mm ² + 32A: 5*6mm ²		
125A / 1000V DC Cable	2*35 mm ² + 1*25 mm ² + 6*0.75 mm ² + 32A: 5*6mm ²		
150A / 1000V DC Cable	2*50 mm ² + 1*25 mm ² + 6*0.75 mm ² + 32A: 5*6mm ²		
200A / 1000V DC Cable	2*70 mm ² + 1*25 mm ² + 6*0.75 mm ² + 32A: 5*6mm ²		
Locking Actuator	Yes	NO	NO
Plug Locking (During Charge)	Electronic	Mechanical	Mechanical



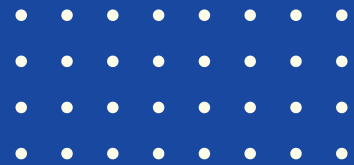
Company Profile

JT Mobility Pvt. Ltd. is a Mumbai, India based manufacturer, associated with Jayani Technologies LLP established in 2011. We are focusing on the design, production, after sale service and marketing of electric vehicle charging components and onboard charging system, we are specialized in various Electric vehicle portable chargers, sockets, charging cables, plug & connectors to national and international standards.

JT Mobility is an ISO 9001:2015 certified company, Our Strong R&D team and unmatched integration team enable us to be fast, flexible, and efficient when providing different solutions to our customers. JT Mobility is highly recognized and trusted by customers for its innovative technology, excellent manufacturing capability and perfect service system. Our vision is to transform EV Industry with the leading technology and to provide cost effective products & solution to EV user, vehicle manufacturer, EVSE, Automobile Dealers and EV Infra provider at competitive prices.



Why Us!



Our Team

JT Mobility is founded and managed by well experienced senior executives from the Industry, with rich and extensive experience in the leading organizations. Keeping in mind the new & changing technology and demands of the industry, we have employed highly skilled team of professionals.

Our Commitment

JT Mobility is committed to becoming a world-class provider of cable solutions for new energy vehicles, and a leader in the EV charging cable products & solution.

Our Vision

To create versatile cutting-edge solutions for all automotive industries

Our Mission

To provide ingenious, virtuous, and energy-efficient solutions.

Our Values

Respect, professionalism, and determination are the values that are the foundation of our culture

Support

Help-Desk (24x6)

Our help desk center is the most extensive information resource in the world. With just a phone call or an e-mail, you can be in touch with a team of trained information specialists and technical experts that are ready to answer your questions and provide you with the information you need. They have an array of resources at their fingertips including product brochures, samples, product specification sheets, case histories, application notes, white papers, technical article, training materials and much more. E-mail at support@jt-mobility.com for any kind of support.

Warranty

1 Year Standard warranty on all the products. We provide free lifetime technical support for all our products. Warranties provided are specific to each product. Warranty period, starting from the date of original purchase. If no proof of purchase (receipt or invoice of purchase) can be presented upon request.

Private Labeling

We provide private labeling product with your company branding. so you can sell products under own brand name. Changes can include things like packaging or product bundles, colors and branding, and some limited adjustments to components or functionality. Minimum order quantity applicable for private labeling.

Global Shipping

We offer global shipping worldwide to nearly every country across the globe, covering North and South America, Europe, Asia, Middle East, Africa, Oceania, and more. We employ the services of major, trusted international carriers to ensure your package arrives to your destination safely and securely.

Repair & Return

We have well defined Repair & Return procedure so we can easily create, organize, process and track your returned orders. Refer to terms and condition of warranty terms and condition for repair services.

Dealer / Distributor

Our Distributor Program is designed to help system integrator, value added re-sellers (VARs), contractors, and installers create demonstrable business value while driving new business and increasing profitability. We provide the tools, marketing and business environment to build a profitable and scalable Practice.

Quality and Certification

JT Mobility Pvt. Ltd. is an ISO 9001:2015 certified company, committed to providing its customers with cost effective reliable products and solutions that keeps them step forward from their competitors and puts them one step closer to future. We provide consistent quality and environmentally friendly products. It is essential for all levels of the organization to strive for excellence and continual improvement in quality, maintaining our competitive edge.



Contact Us

JT MOBILITY PVT. LTD.

23, 3rd Floor, Gami Industrial Park, TTC MIDC Pawne, Navi-Mumbai, Dist. Thane, Maharashtra, India 400705

Head Office

B-409, Lodha I-Think, Opp. Xperia Mall, Kalyan-Shil Road, Dombivali (E), Dist. Thane, Maharashtra, India 421203

R & D

A-106, Shraddha Silver Springs, BEML Lauout Main Road, Brookfield, Bengaluru, India 560066

Delhi

Oriental Market, IP Extension, Patparganj, New-Delhi, India 110092

Jaipur

G-1, Sunshine Krishna, Near Triveni Nagar Flyover, Gopalpura By-Pass, Jaipur, Rajasthan 302018

Indore

Mahalaxmi Nagar, Near Bombay Hospital, AB Road, Indore, Madhya Pradesh, India 452010

Phone: +91-8693099309 ; E-Mail : support@jt-mobility.com

WWW.JT-MOBILITY.COM

Follow Us

